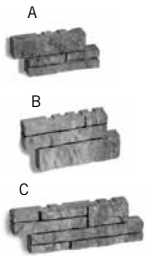


Lamina® Tandem® Next Wall



Lamina® Tandem® Next Wall – 180 mm Veneer Units

	Dimensions (mm)	Dimensions (in)
A	180 x 67 x 402	7 1/16 x 2 5/8 x 15 13/16
B	180 x 67 x 469	7 1/16 x 2 5/8 x 18 1/2
C	180 x 67 x 536	7 1/16 x 2 5/8 x 21 1/8
Weight/unit (avg.)	9 kg	21 lb
Area/layer	0.87 m ²	9.35 ft ²
Area/cube	5.21 m²	6 Rows 56.08 ft²
Length/layer	5.63 lin. m	18.47 lin. ft
Length/cube	33.78 lin. m	110.82 lin. ft
Qty/cube	A = 24 B = 24 C = 24	
Units/row	12 (4A, 4B, 4C)	
Weight/cube	706 kg	1557 lb

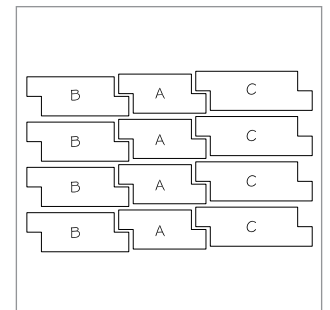


Colours

Codes	Colours
16252686	Range Newport Grey
16252983	Range Scandinia Grey
16252982	Rockland Black
16252981	Range Amboise Beige

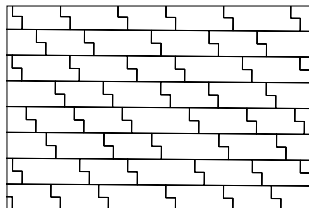
Sold in full cubes only
Production location – St-Eustache

Typical row



All Cascade Tandem have finished sides

Laying Patterns



LINEAR PATTERN

100% LAMINA TANDEM NEXT 180 UNITS

Notes

Applications:

Retaining wall (by using Tandem Next Wall system 180 mm Structure Unit)
Double-sided wall (by using Tandem Next Wall system 180 mm Structure Unit and plastic connector)
Pillars (by using by using Tandem Next Wall system 180 mm Structure Unit and plastic connector)

Recommended Capping Modules:

City capping module, City double-face capping module, City privacy capping module and Melville Tandem Capping module.

Additional details specific to this product are available by consulting our landscaping installation guide on our website.