

U-CARA[®] MULTI-FACE WALL SYSTEM

Exclusive to **JNIBLOCK**



ENDURACOLOR[™]

PITCHED FINISH



ALMOND GROVE FUSION

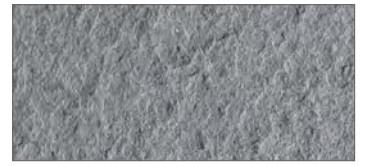


GRANITE MIST

SERIES[™] FINISH



BLACK GRANITE *3" Panel only*



BUCINE BLUESTONE (NATURAL STONE)
6" Panel for standard & closed end units

SMOOTH FINISH



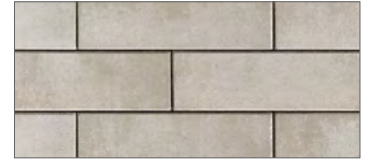
ALMOND GROVE FUSION



FOSSIL



GRANITE MIST



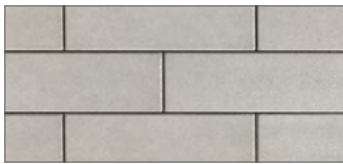
INDIANA BUFF **NEW**



MIDNIGHT CHARCOAL **NEW**



OPAL BLEND



STERLING **NEW**

UMBRIANO FINISH - SMOOTH FINISH ONLY



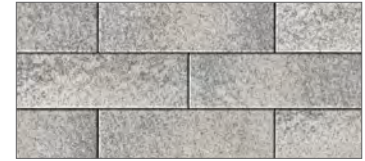
FRENCH GREY



MIDNIGHT SKY



SUMMER WHEAT



WINTER MARVEL



GRENADA WHITE **NEW**

LAYING PATTERNS



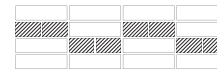
1/2 Running Bond



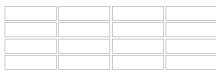
1/2 Running Bond with Linear Accents



1/2 Running Bond with Paver Accents



Mixed Bond



Stacked Bond



Stacked Bond with Accents



1/2 Running Bond with Random Accents



1/3 Running Bond

VISUAL APPEARANCE

The U-Cara[®] Multi-Face Wall System represents a revolution in wall design. Comprised of 2 basic components: Sure Track Backer Blocks- providing dimensionally accurate structure, and U-CARA fascia panels- providing unlimited design options. U-CARA Wall matches select pavers exactly with the same manufacturing and aggregate blends. Superior pairing from vertical to horizontal landscapes.

FINISH

Available in Umbriano[®] (Smooth Finish only), Smooth Face, Pitched Face and the 3" Panels are available in Series[™] finish Black Granite.

*Colour selection should be chosen from actual samples.

PRODUCT SPECIFICATIONS

1 BASE UNIT



**UNIVERSAL
BASE UNIT**
19 x 14 x 2"
482 x 355 x 55mm

2 BACKER BLOCKS



**SURETRACK
STANDARD**
6 x 8 x 6"
150 x 200 x 150mm



**SURETRACK
LARGE BACKER
CORNER/PILLAR**
6 x 7 x 12"
150 x 175 x



**SURETRACK
CORNER INSERT**
L = 2"
50mm

3 FASCIA PANELS

6" STANDARD



6 x 18½ x 2⅜"
150 x 466 x 60mm

3" SERIES PANEL



3 x 9¼ x 2⅜"
75 x 233 x 60mm

2 UNIT CORNER BUNDLE



**CLOSED-END
FASCIA PANEL**

6 x 21 x 2⅜"
150 x 533 x 60mm



**STANDARD FASCIA
HALF PANEL**

6 x 9¼ x 2⅜"
150 x 233 x 60mm

4 FASCIA PANEL STYLES



SMOOTH



PITCHED



UMBRIANO



SERIES

5 COPING

ENDURA™ COPING



SEE PAGE 165

UMBRIANO COPING



SEE PAGE 170

UNIVERSAL COPING



SEE PAGE 171

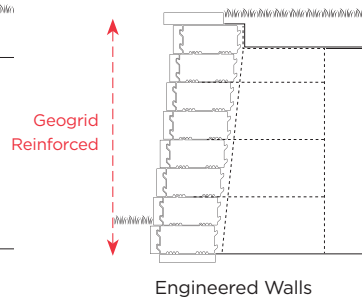
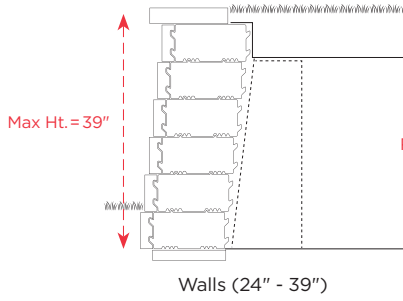
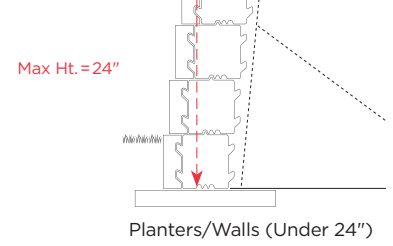
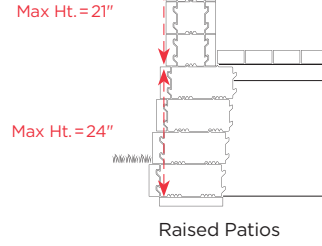
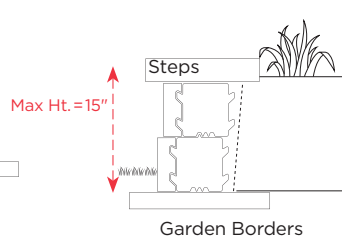
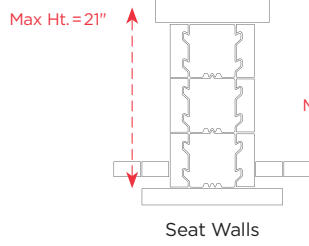


See page 186-187 for more details.

- Creates a revolutionary Reinforced Soil Structure (RSS) with high tensile and compressive strength to maximize the performance of pavement structures.
- Extremely permeable, long lasting, durable and environmentally friendly. Lightweight and easy to handle.
- Simple and quick installation.
- Allows for easy repairs / adjustments after installation.

See page 191-192 for more details.

WALL DETAILS

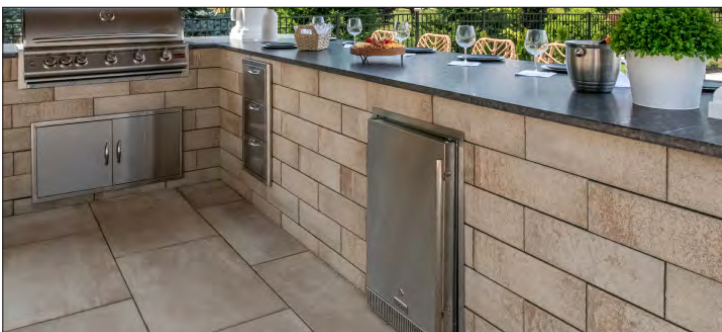
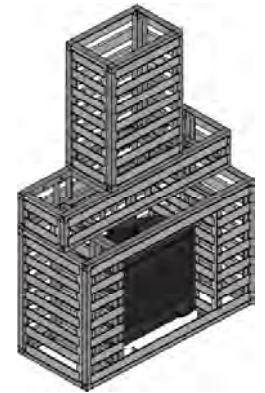
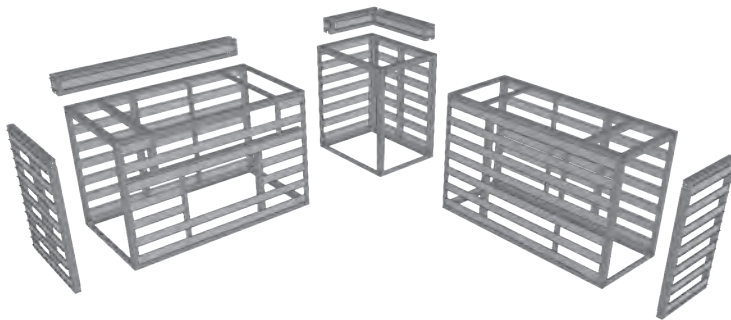


Check out the U-CARA Installation Manual at unilock.com/contractor.unilock.com/installation/literature-downloads/

Our U-Cara Modular System offers a variety of aluminium frames that can be mixed and matched to construct vertical features like grill islands, fire features and pillars.



Check out the U-CARA Modular Fireplace System Manual at unilock.com/contractor.unilock.com/installation/literature-downloads/



TECHNICAL INFORMATION

ASTM C 1372 Standard Specifications for Dry-Cast Segmental Retaining Wall Units

Conforms to:

- C140 for Absorption and Compressive Strength > 3000 PSI
- C1262 for Freeze Thaw Durability <1% mass loss
- C1372 Overall dimensional variations permissible for width, height and length +/-3.2 mm

Unilock standards exceed 5,500 PSI for U-Cara products with:

- 4% absorption avg.
 - 5% absorption max.
 - Dimensional Accuracy +/-2 mm
- Test results available upon request*

LEED INFORMATION

Materials & Resources: LEED V4:

- Building Product Disclosure and Optimization
- Sourcing of Raw Materials - Sourcing of Raw Materials and Extraction • **1 point**
- Sourcing of Raw Materials - Leadership Extraction Practices • **1 point**
- Material Ingredient Reporting - Material Ingredient Reporting • **1 point**
- Material Ingredient Reporting - Material Ingredient Optimization • **1 point**
- Environmental Product Declaration • **1 point**

PRODUCT DATA

Stones & Bundling	Face Feet Per		Linear Feet Per		Units Per		Per Bundle		Lbs Per	
	Bundle	Unit	Bundle	Unit	Bundle	Face Feet	Layers	Sections	Unit	Bundle
Georgetown Manufacturing Umbriano all Fascia's and Corners / Georgetown Manufacturing Smooth & Pitched / Gormley Manufacturing SureTrack Backers										
SureTrack Standard Backer	34.88	0.32	-	-	108	3.10	3	-	23	2,506
SureTrack Large Backer when used as Corner	31.79	0.76	-	-	42	1.32	3	-	36	1,509
SureTrack Large Backer when used as Wall	11.87	0.28	-	-	42	3.54	3	-	36	1,509
Standard Fascia Panel (Smooth) 3" (75mm)	59.32	0.18	256.70	0.76	336	5.66	-	-	4	1,453
Standard Fascia Panel (Smooth) 6" (150mm)	61.52	0.73	127.68	1.52	84	1.37	6	-	18	1,513
Standard Fascia Panel (Pitched) 6" (150mm)	61.52	0.73	127.68	1.52	84	1.37	6	-	21	1,745
Corner Bundle (Smooth)	54.19	-	-	-	84	-	-	-	30	1,240
Closed-End Fascia Panel	38.94	0.93	-	-	42	1.08	-	-	-	-
Half Fascia Panel	15.25	0.36	-	-	42	2.75	-	-	-	-
Corner Bundle (Pitched)	54.19	-	-	-	84	-	-	-	33.69	1,415
Closed-End Fascia Panel	38.94	0.93	-	-	42	1.08	-	-	-	-
Half Fascia Panel	15.25	0.36	-	-	42	2.75	-	-	-	-
Universal Coping Bundle	-	-	75.90	1.58	48	-	-	-	57	2,747
U-GRIP Base Pad	-	-	85.39	1.58	54	-	9	-	46	2,500

Notes: Sold in full bundles only. Product is shipped on skids. Corner Bundle has 24 Right Closed-end units and 18 Left Closed-end units. All measurements are nominal. For more information, samples or custom options, please contact your Unilock Territory Manager or call 1-800-UNILOCK.

APPLICATIONS



Garden Walls & Seat Walls



Steps



Fire Features



Grill Islands



Retaining Walls



Pillars



Water Features

For coping options, we recommend using Endura, Natural Stone, Universal or Umbriano Coping.

U-CARA[®] MODULAR SYSTEM



CONSTRUCT CREATIVE VERTICALS WITH SPEED ACCURACY AND STRENGTH

- GRILL ISLANDS
- BACKSPLASHES
- FIRE TABLES
- PILLARS
- BARS

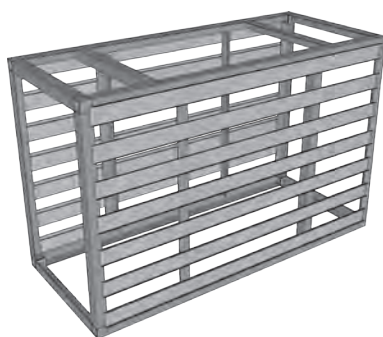
**STRUCTURAL
LIFETIME
WARRANTY**

**6063
ALUMINUM
LIGHT & STRONG**

**U-CARA[®]
MODULAR
SYSTEM**

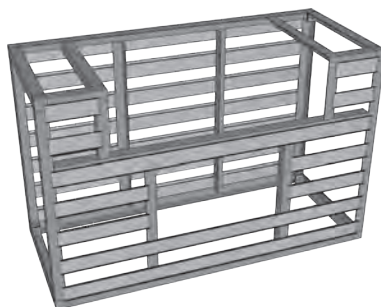


PRODUCT SPECIFICATIONS



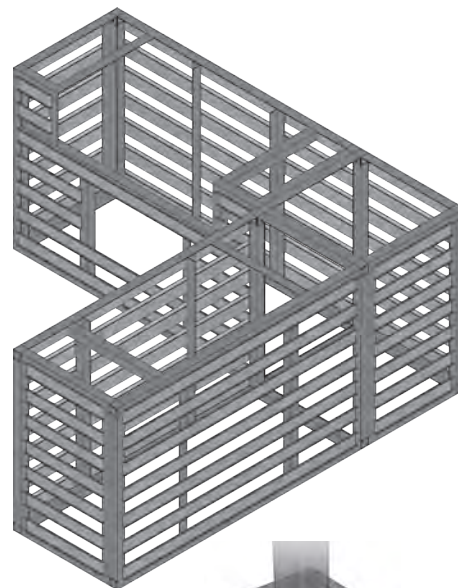
BASE MODULE
Model : U-BC 70
64½ x 27½ x 41⅞"
1638 x 699 x 1056mm

+



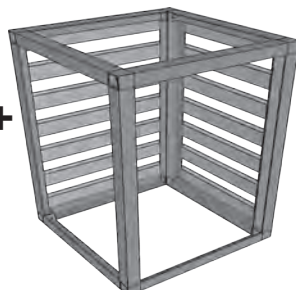
GRILL MODULE
Model : U-GC 70
64½ x 41⅞"
1638 x 1056mm
**Depth is determined by End Cap*

=

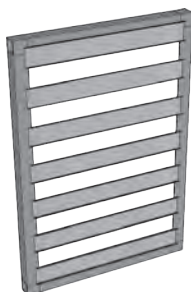


CORNER MODULE
Model : U-CC 28
27½ x 27½"
699 x 699mm

+



CORNER MODULE
Model : U-CC 2837
27½ x 36½"
699 x 927mm



STANDARD END CAP
Model : U-EC 28
23½ x 41⅞"
597 x 1056mm



LARGE END CAP
Model : U-EC 37
32¾ x 41⅞"
832 x 1056mm



PILLAR UNIT
Model : UL-PU
18½ x 18½ x 41⅞"
470 x 470 x 1056mm

FEATURES

- | Aluminum framing
- | Expandable
- | Pre-built panels
- | Fits grills 36" to 42"
- | Precision fabrication
- | Limited lifetime warranty
- | Lightweight

BENEFITS

- | Easy to learn
- | Build verticals in hours, not days
- | Minimal experience required
- | Moveable
- | Combines seamlessly with U-Cara SureTrack Backer Blocks

U-CARA® WALL MOUNT SYSTEM

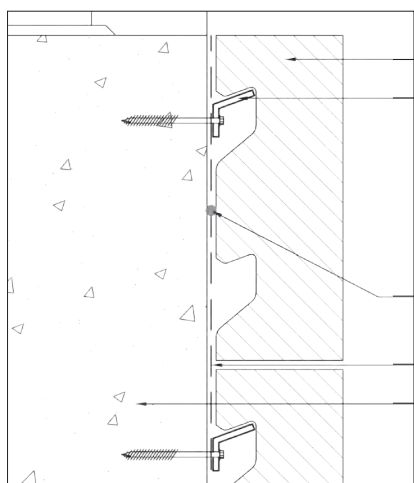


EASILY CLAD STRUCTURES WITH U-CARA TO COMPLEMENT YOUR HARDSCAPE PROJECT

Ideal for garden sheds, wing walls, exposed foundation, existing steps or concrete and wood substrates.

WITH A SIMPLE 3 STEP PROCESS:

- 1** Mount Alignment Bar
- 2** Attach U-Cara Mount Rails
- 3** Hang U-Cara Fascia Panels



- U-Cara fascia panel
- Galvanized steel U-Cara rail; one rail per panel (typical)
- High-strength concrete adhesive; ¼" continuous bead (typical)
- Galvanized steel U-Cara alignment bar
- Building concrete foundation/structure

Note: Unilock is not responsible for structural strength/integrity of substrates to which the mounting system is attached.



*Visit unilock.com to download the U-CARA Modular System Brochure

WALLS | U-CARA®
RETAINING WALLS & VERTICAL FEATURES