



RAFFINATO

DESCRIPTION: Fire pit **TEXTURE:** Smooth



NOTES

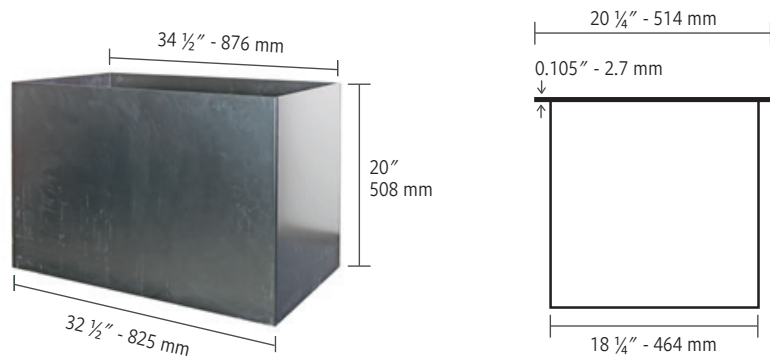
Sold as a kit not pre-assembled.
Raffinato 12"x24" caps included.

Techo-Bloc is not responsible for any damages to the firepit if it is not installed with a sleeve or accessory kit. The firepit is not designed for large fires. Fire should be contained at least 6" away from the firepit wall blocks. Overheating could lead to heat damage to the firepit components.

See 121 for more technical information.

Specifications per pallet	Imperial	Metric
Approx. Weight	2 700 lbs	1 224 kg
Height	21 ¼ in	540 mm
Depth	41 ½ in	1 054 mm
Length	55 ⅞ in	1 419 mm
12"x24" caps	8	
Raffinato 90 mm corner block	10	
Raffinato 180 mm corner block	20	

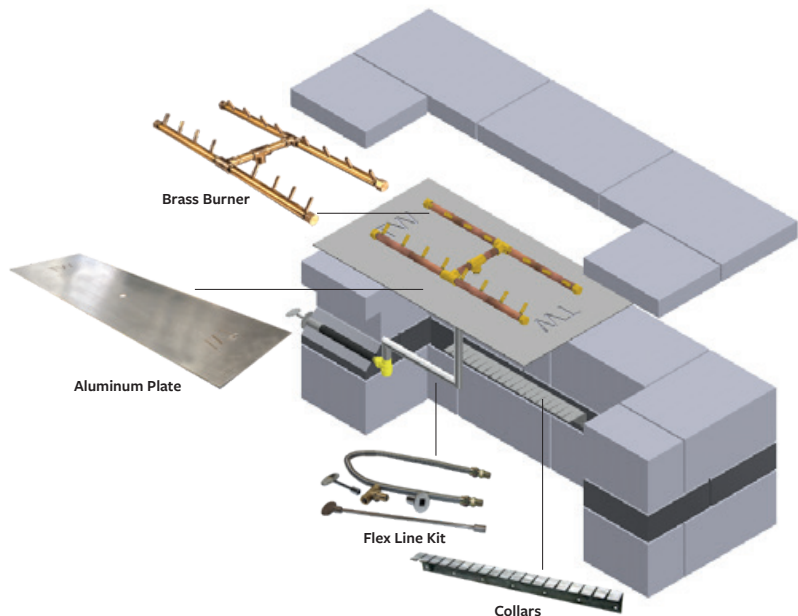
Insert



Gas Insert

Gas insert kits available and sold separately (Natural Gas or Liquid Propane).

The kit includes: Brass Burner (160K BTU), Aluminum Plate, Ignition control (push button), collars, vents, aluminum cover and black lava rock.



FIRE PIT: Beige Cream / Greyed Nickel
CAP: Greyed Nickel

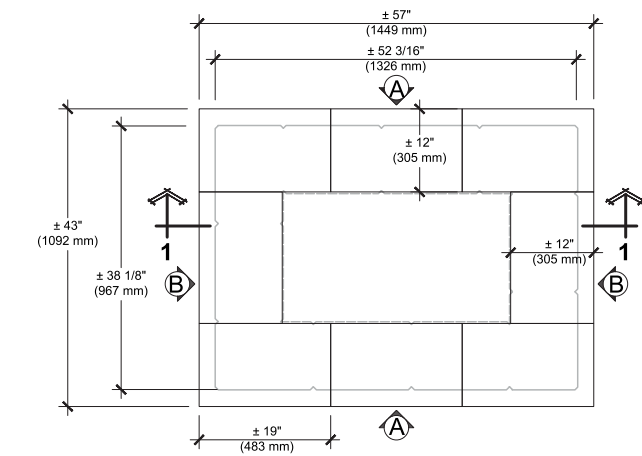


FIRE PIT: Greyed Nickel / Onyx Black
CAP: Onyx Black

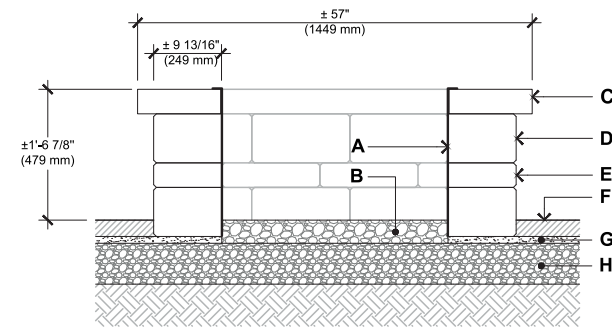


INSTALLATION GUIDE

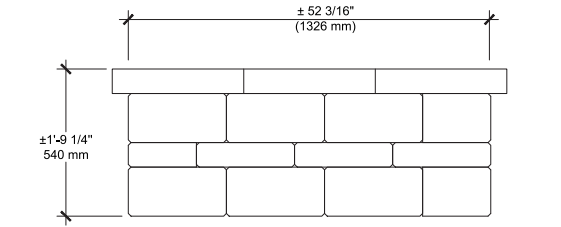
RAFFINATO FIRE PIT (KIT)



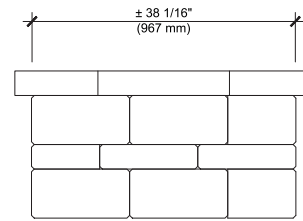
TOP



SECTION 1-1



ELEVATION A



ELEVATION B

- A. STEEL BOX INSERT
- B. CLEAN STONE $\frac{3}{4}''$ (20 mm), 4" (100 mm) THICK
- C. RAFFINATO CAP 90 mm (PRE-CUT)
- D. RAFFINATO 180 mm CORNER BLOCK
- E. RAFFINATO 90 mm CORNER BLOCK
- F. TECO-BLOC PAVERS OR SLABS
- G. SETTING BED 1" (25 mm)
- H. COMPACTED GRANULAR BASE 0- $\frac{3}{4}''$ (0-20 mm)

QUANTITY OF MATERIALS REQUIRED

- Raffinato cap 90 mm: **8**
- Raffinato 90 mm corner block: **10**
- Raffinato 180 mm corner block: **20**

NOTE: Secure the blocks using a heat resistant concrete adhesive. The installer must ensure that the installation and use of the firepit comply with local regulations and code requirements.

Consult our Installation Guide in our website for a detail step by step installation.

PLEASE REFER TO P.4 FOR THE CORRECT USE AND LIMITATIONS OF PROVIDED TECHNICAL INFORMATION.